

KORAFLEX Amper FVA

FULLY ELECTRIC FLOOR CONVECTORS WITHOUT
THE NEED TO BE CONNECTED TO A HEATING SYSTEM


**Fully electric
floor convector**


**Possible as
an additional assembly**


**Forced
convection**


**High heat
outputs**


**Primary or secondary
source of heat**


**Quiet, powerful
and economical**

KORAFLEX Amper FVA (230 V AC) is a fully electric floor convector with aluminium elox roll-up grille, which achieves high heating performance and rapid heat transfer to the room and contains – a powerful electric heat exchanger and an EC tangential fan. Reliable regulation then guarantees simple and safe operation. The trench heater has its own heating system independent from the central heating system and does not contain a heat exchanger for hot water heating. The floor convector is compact in size and is suitable wherever there is no possibility of connecting to the heating system.

KORAFLEX Amper FVA

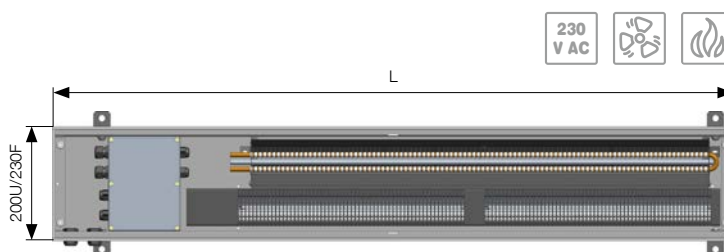
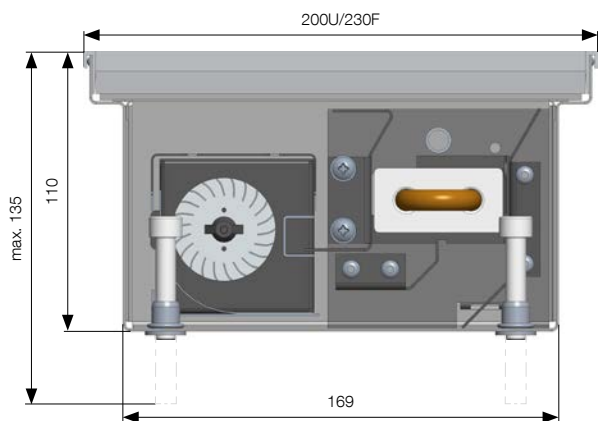
depth 110 mm/width 200 mm

Specification

Depth	110 mm
Width	200 mm
Length	800, 1 200, 1 650 mm
Heat output	up to 2 400 W
IP rating	IP 20
Power connection	230 V AC
Ordering code	FVA-•••/11/20-Y1RU1-0-RT

Measurements are shown in mm including U-frame.

Length	Fan speed setting	Control current [V]	Heat output [W]	Acoustics	
				Sound pressure [dB(A)]	Sound power [dB(A)]
800	1	4	370	19.1	27.1
	2	7	590	26.6	34.6
	3	10	800	28.9	36.9
1 200	1	4	740	20.1	28.1
	2	7	1 180	28.3	36.3
	3	10	1 600	31.0	39.0
1 650	1	4	1 100	21.2	29.2
	2	7	1 750	29.5	37.5
	3	10	2 400	32.4	40.4

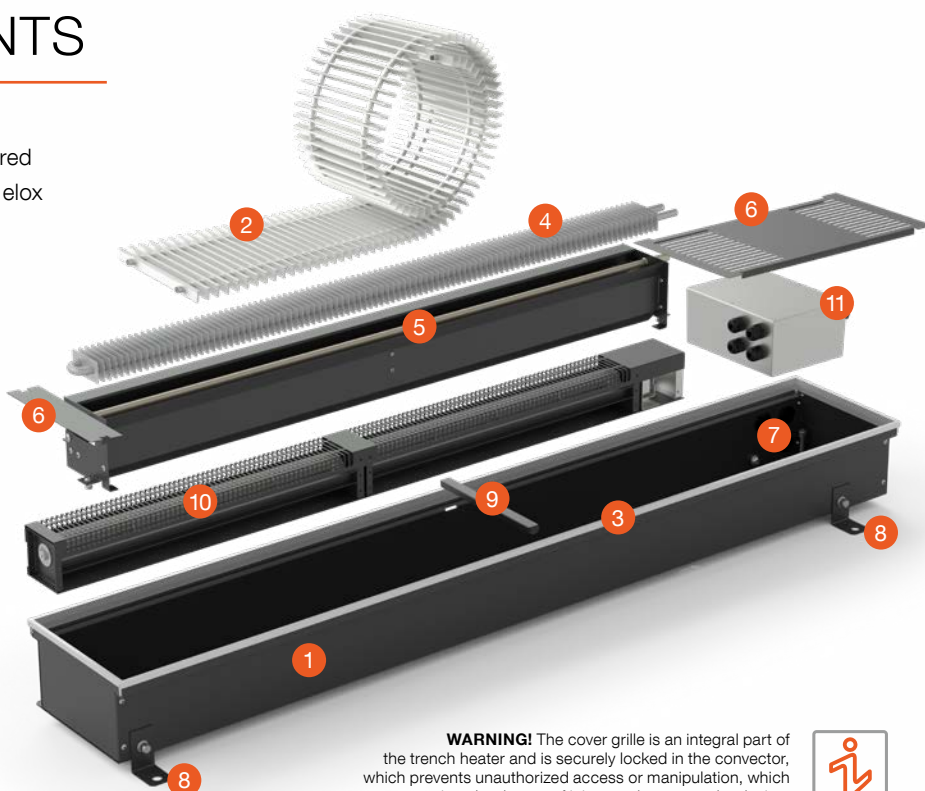


U – frame profile U, F – frame profile F. Measurements in millimeters.

When choosing an F-frame, 30 mm is added to the final width.

STANDARD CONTENTS

- galvanized steel casing RAL 9005 black lacquered
- roll-up cover grille (T-profile on a spring) – silver elox
- aluminium silver elox frame (U or F type)
- 230 V AC/50 Hz electric heat exchanger
- supporting structure for directing the flow of air
- metal cover plate for connections
- leveling screws
- anchors
- spacers for correct installation
- set of low-energy EC fans 24 V DC
- electrical box for electric connection IP 65



WARNING! The cover grille is an integral part of the trench heater and is securely locked in the convector, which prevents unauthorized access or manipulation, which protects against the danger of injury or damage to the device.



Alterations to technical specifications reserved.



LICON s.r.o.

Svárovská 699, Průmyslová zóna Sever
463 03 Stráž nad Nisou, Czech Republic
e-mail: info@licon.cz, www.licon.cz