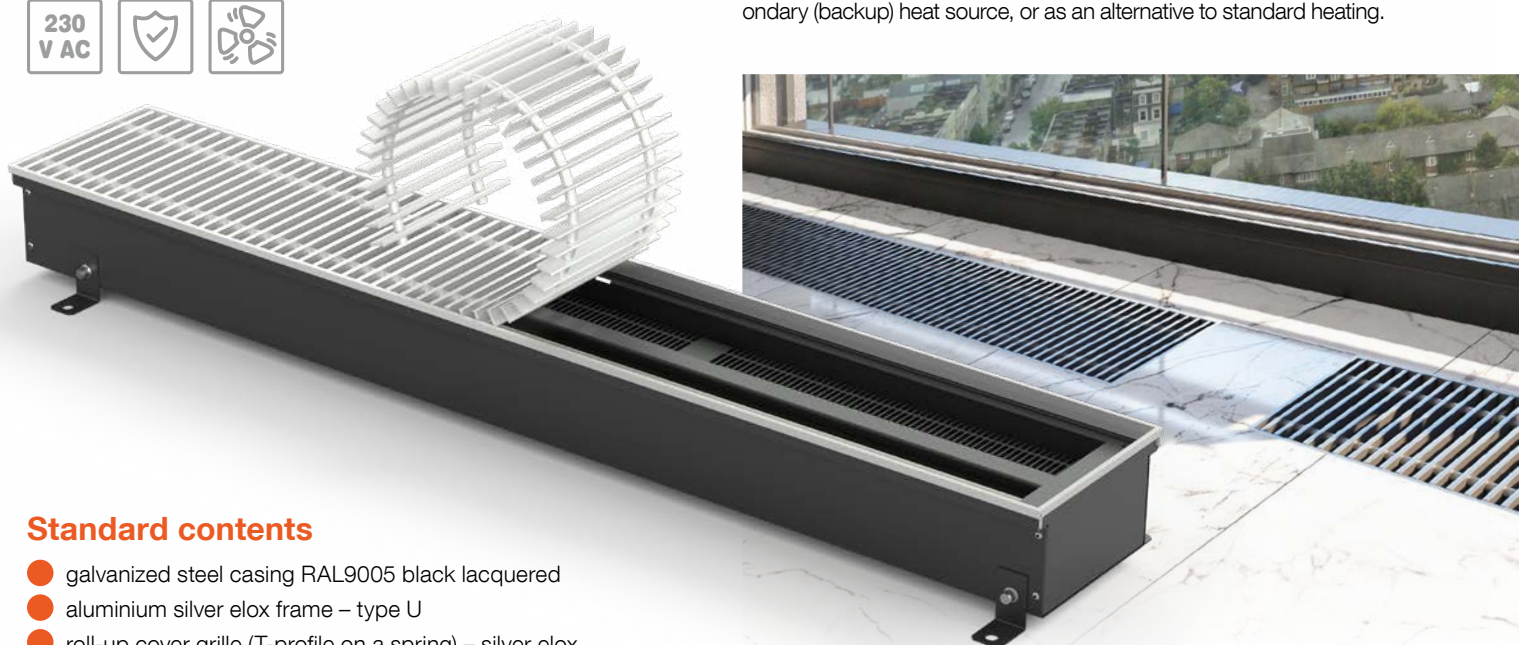


KORAFLEX Amper FVA new

Specification

Depth	110 mm
Width	200 mm
Length	800, 1 200, 1 650 mm
Heat output	up to 2 400 W
IP rating	IP 20
Power connection	230 V AC
Ordering code	FVA-xxx/11/20-Y1RU1-0R-RT

KORAFLEX Amper FVA (230 V AC) is a fully electric floor convector with aluminium elox roll-up grille, which for achieving high heating performance and rapid heat transfer to the room contains – a powerful electric heat exchanger and an EC tangential fan. Reliable regulation then guarantees simple and safe operation. Trench heater has its own heating system independent from the central heating system and does not contain a heat exchanger for hot water heating. The floor convector is compact in size and is suitable wherever there is no possibility to connect to the heating system. We recommend placing the KORAFLEX Amper FVA near large glazed areas and it is also suitable for fully electric or modern low-energy houses. Given the possibility of additional installation, it is also suitable for renovations where there is no longer the possibility to connect to the heating water distribution. It is a fast, quiet and economical heating, which thanks to high thermal performances can be installed as a main or secondary (backup) heat source, or as an alternative to standard heating.



Standard contents

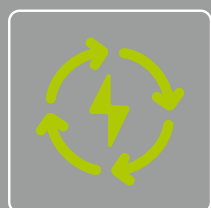
- galvanized steel casing RAL9005 black lacquered
- aluminium silver elox frame – type U
- roll-up cover grille (T-profile on a spring) – silver elox
- 230 V AC/50 Hz electric heat exchanger
- metal cover plate for connection
- set of low-energy EC fans 24 V DC
- control box regulation
- leveling screws and four anchors
- spacers for correct installation and concreting
- sololith cover desk to prevent dirt falling into the casing
- durable packaging, assembly instructions



Warning! The cover grille is an integral part of the trench heater and is securely locked in the convector, which prevents unauthorized access or manipulation, which protects against the danger of injury or damage to the device.

Optional accessories

- silver elox aluminium F-frame
- thermostat SIEMENS 0–10 V DC or a three-mode
- OSB cover for increased strength during installation



fully electric floor convector



possible as an additional assembly



forced convection



high heat outputs



primary or secondary source of heat



quiet, powerful and economical

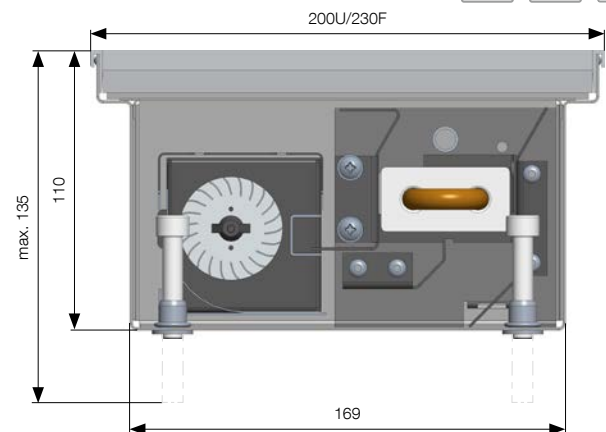
KORAFLEX Amper FVA

depth 110 mm/width 200 mm

Heat outputs [W].

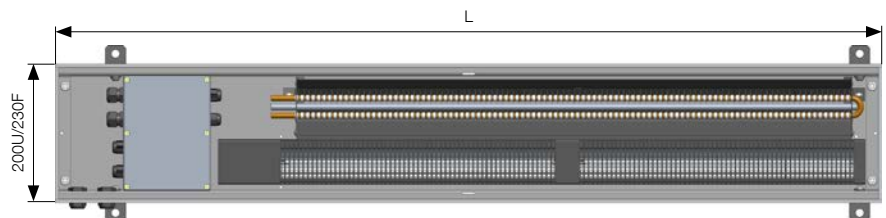
Measurements are shown in mm including U-frame.

Length	Fan speed setting	Control current [V]	Heat output [W]	Acoustics	
				Sound pressure [dB(A)]	Sound power [dB(A)]
800	0	0	0	-	-
	1	4	320	19.1	27.1
	2	7	560	26.6	34.6
	3	10	800	28.9	36.9
1 200	0	0	0	-	-
	1	4	640	20.1	28.1
	2	7	1 120	28.3	36.3
1 650	0	0	0	-	-
	1	4	960	21.2	29.2
	2	7	1 680	29.5	37.5
	3	10	2 400	32.4	40.4



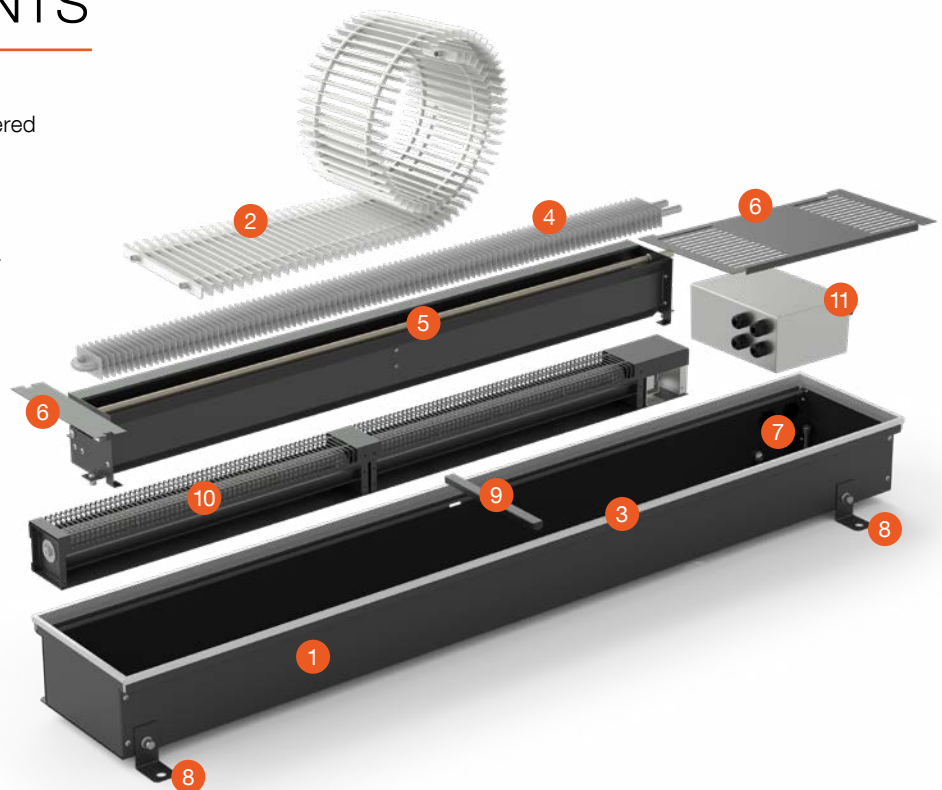
U – frame profile U, F – frame profile F. Measurements in millimeters.

When choosing F-frame, 30 mm are added to the final width.



STANDARD CONTENTS

- 1 galvanized steel casing RAL 9005 black lacquered
- 2 roll-up cover grille – silver elox
- 3 aluminium silver elox frame (U or F type)
- 4 230 V AC/50 Hz electric heat exchanger
- 5 supporting structure for directing the flow of air
- 6 metal cover plate for connections
- 7 leveling screws
- 8 anchors
- 9 spacers for correct installation and concreting
- 10 set of low-energy EC fans 24 V DC
- 11 control box regulation



LICON s.r.o.

Svárovská 699, Průmyslová zóna Sever
463 03 Stráž nad Nisou, Czech Republic
e-mail: info@licon.cz, www.licon.cz

Alterations to technical specifications reserved.